

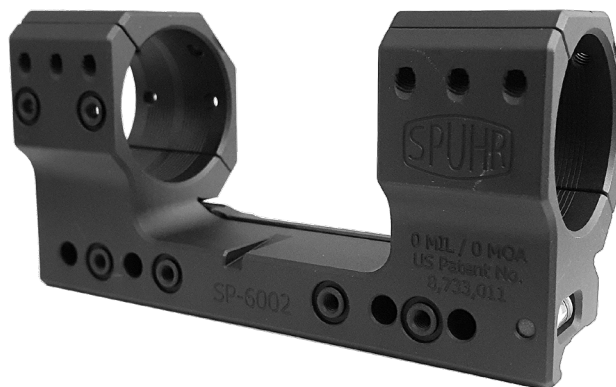


SP-6002

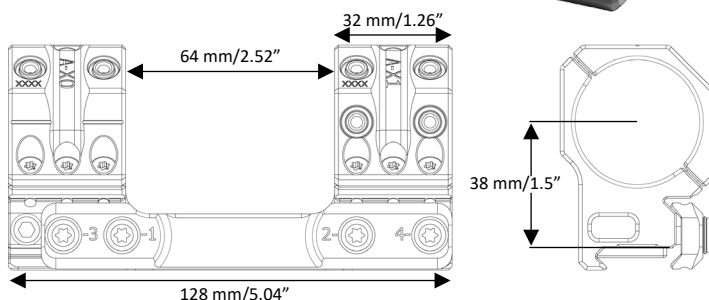
Scope Mount Ø36 H38mm/1.5" 0MIL PIC

Picatinny mount for use with NV Equipment

Rings: 36 mm
Tilt: 0 MIL/MOA
Height: 38 mm/1.5"
Length: 128 mm/5.04"
Weight: 276 g/9.7 oz
Interfaces: 7 sets
EAN: 7340150700461



The **IDEAL SCOPE MOUNT SYSTEM** series of mounts feature **seven set of interfaces to attach any of more than 40 different accessories**. The rings are diagonally cut for increased visibility of the elevation and windage turrets (US Patent 8,733,011).



The mounts are machined from billet 7000 series aluminum and all aluminum parts are hardcoat anodized. The Torx 20 ring and clamping screws are zinc-nickel coated for corrosion resistance and come pre-waxed from the factory to ensure proper torque values.

The mount is shipped with a manual and a "wedge" leveling key.

NOTE:

The SP-6002 was originally designed for use with the Hensoldt ZF 3.5-26x56 on rifles with MIL-STD-1913 or STANAG 4694 "NATO" rails and is especially suitable for extended Picatinny rails combined with night vision equipment.

A new design of the SP-6002 was introduced in 2020, whereby the mount body was shortened 11 mm and an integrated bubble level was added.

CONTACT

Spuhr i Dalby AB

Phone: +46 46 712 012

Web: www.spuhr.com

Address: Terminalvägen 19
SE-246 42 Löddeköpinge
Sweden